

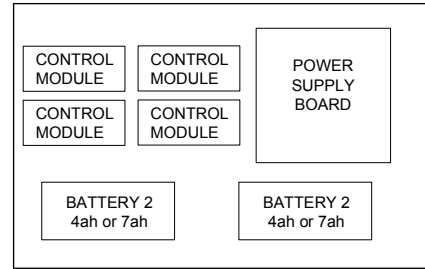
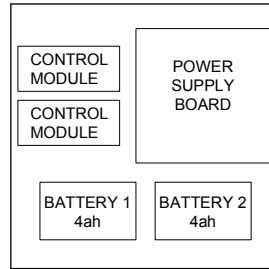
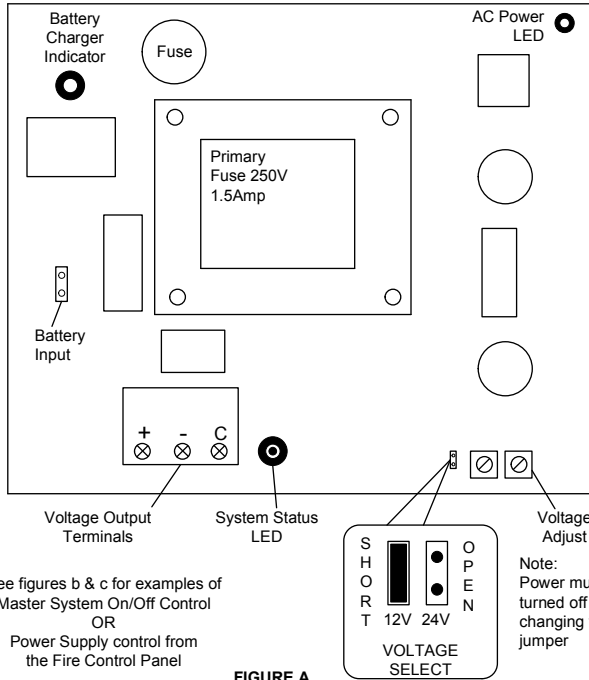


**SECURITY DOOR CONTROLS**  
 801 Avenida Acaso, Camarillo, Ca. 93012  
 (805) 494-0622 • Fax: (805) 494-8861  
 www.sdcsecurity.com • E-mail: service@sdsecurity.com

**REGULATED POWER SUPPLY  
 INSTALLATION INSTRUCTIONS**

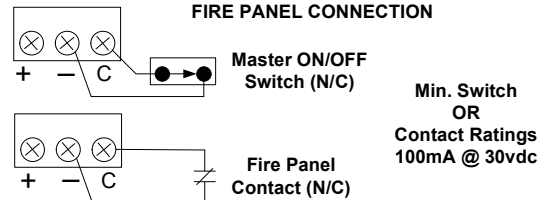
**MODEL 631RF/631RFA**

**COMPONENT LOCATIONS**



**FIGURE B**

**MAIN SYSTEM ON-OFF  
 OR  
 FIRE PANEL CONNECTION**



**Figure C**

**POWER SUPPLY SPECIFICATIONS**

**Input Voltage: 115/230 VAC @ 60hz**  
**Input Current: 0.8 amps Max.**

**Output Voltage: 12/24VDC (Special Applications)**  
**Output Current: 1.5 amps**  
**Ripple Voltage: 0.05 Volts Max**

**Battery Charger Max Current: 0.25 amps**  
**Maximum recommended battery size: 7ah**  
**(Replace batteries every three years)**

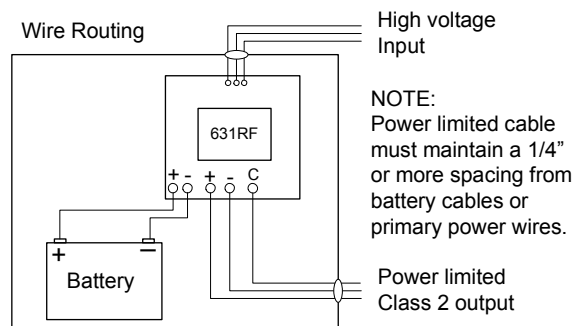
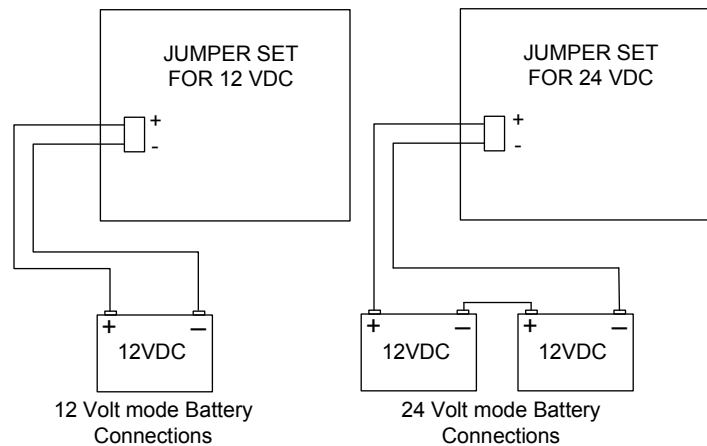
**To determine standby battery capacity, refer to Batter Discharge table (INST-BDT).**

**Compatible UL listed Fire Devices:**  
**Smoke detector manufactured by ESL, Model 521B, 521BXT with Model 506 module.**

**Suitable Uses:**  
**Electric Lock Power Supply**  
**Access Control Power Supply**  
**Burglar Alarm System Power Supply**

**NOT INTENDED TO POWER A LOCAL BURGLAR ALARM INDICATING DEVICE.**

**TEST UNIT YEARLY**





# Security Door Controls

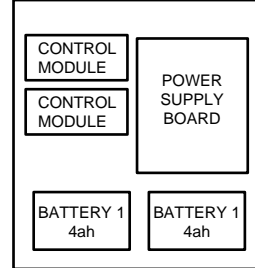
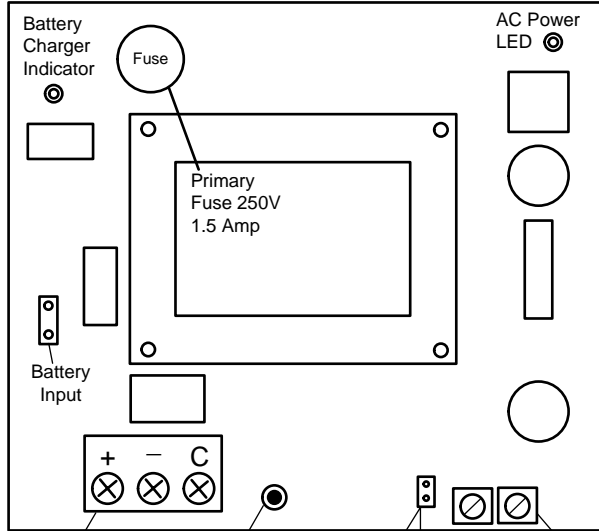
801 Avenida Acaso, Camarillo, Ca. 93012  
(805) 494-0622 • Fax: (805) 494-8861  
www.sdcsecurity.com • E-mail: service@sdsecurity.com

## REGULATED POWER SUPPLY INSTALLATION INSTRUCTIONS

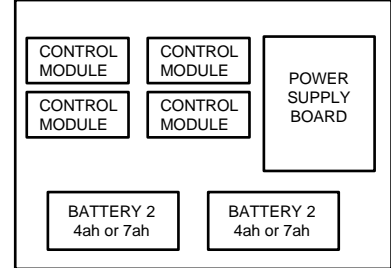
**MODEL 631RF-CUL/631RFA-CUL**

### MODEL 631RF-CUL/631RFA-CUL

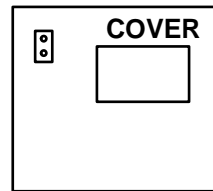
### COMPONENT LOCATIONS



STANDARD BOX



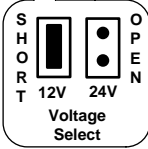
"A" Option Box



**BATTERY MONITOR LEDS**  
GRN = AC  
RED = BATTERIES  
ORG = NO/LO BATTERY

Voltage Output Terminals

System Status LED  
YEL = System OK  
RED = No AC Input  
GRN = No DC Output

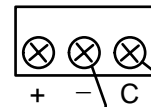


Voltage Adjust

**Note:** Power must be turned off before changing voltage jumper.

### MAIN SYSTEM ON-OFF

Min. Switch or Contact Ratings  
100mA @ 30VDC



Master ON/OFF Switch (N/C)

### POWER SUPPLY SPECIFICATIONS

Input Voltage: 115/230 VAC @ 60hz  
Input Current: 0.8 amps Max.

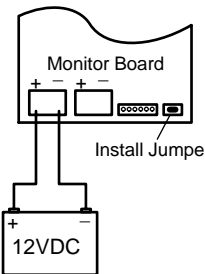
Output Voltage: 12/24VDC (Regulated)  
Output Current: 1.5 amps  
Ripple Voltage: 0.05 Volts Max.

Battery Charger Max. Current: 0.25 amps  
Maximum recommended battery size: 7ah  
Recommended Battery: SDC Model RB12V7  
(Replace batteries every 3 years)

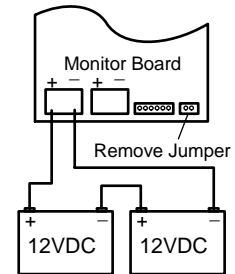
To determine standby battery capacity refer to Battery Discharge Table (INST-BDT).

Suitable Uses:  
Electric Lock Power Supply  
Access Control Power Supply

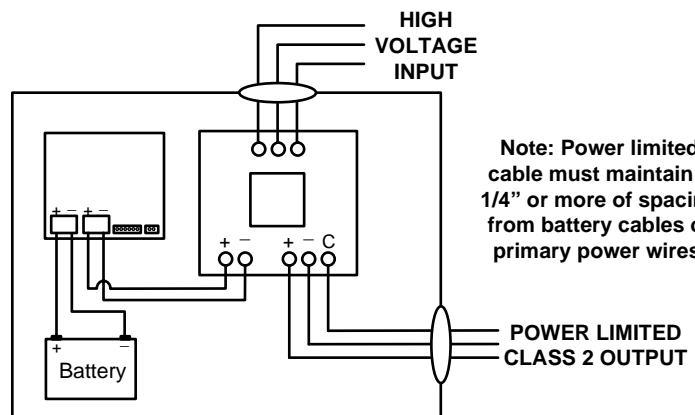
**TEST UNIT ANNUALLY**



12 Volt Mode Battery Connections



24 Volt Mode Battery Connections



**Note:** Power limited cable must maintain a 1/4" or more of spacing from battery cables or primary power wires.